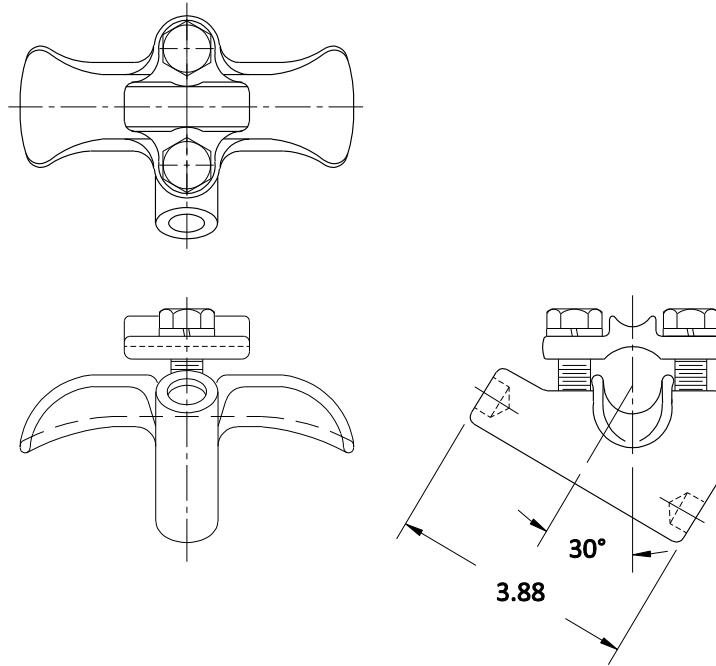


<u>Transmission Accessories</u>	<u>Page</u>
Trunnion Clamps	2
Load Limiters	3
Angled Mount Fittings	4
Slack Span Clamps	5
Line Post Mounting Studs	6
Ground Wire Trunnion Brackets	7
Pole Top Brackets	8
Clevis Adapters - Straight	9
Clevis Adapters – Hooked (Swing Clearance)	10
Hinge Assemblies	11
Post Mount Conductor Clamps	12



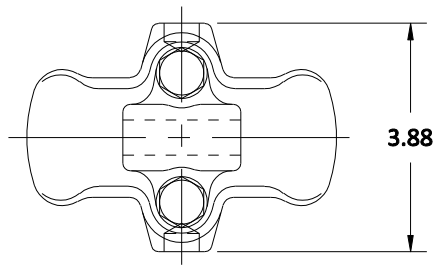
LAPP Insulators: An Industry Leader

Lapp has access to a global network of accessories commonly used together with transmission insulators. All hardware accessories are approved for use with Lapp supplied insulators.

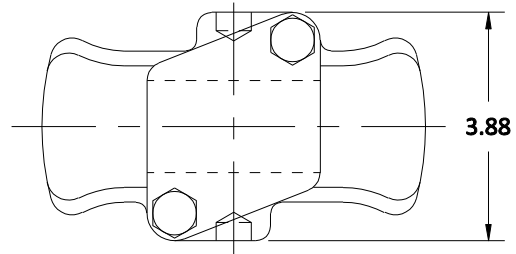


Angled Trunnion Clamps

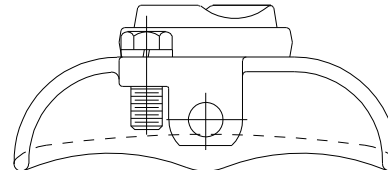
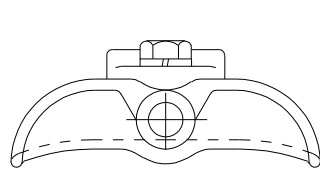
LAPP Catalog Number, Ferrous	LAPP Catalog Number, Aluminum	Conductor Size, inches		Packed Weight, Each, lbs., Ferrous	Packed Weight, Each, lbs., Aluminum
		Min	Max		
	80481	.25	.56	2.75	1.25
80472	80482	.35	.84	3	1.5
80473	80483	.50	1.06	3.25	1.75
80474	80484	1.00	1.65	3.5	2
	80485	1.50	2.00	4	2.25



Trunnion Clamps Fig 1

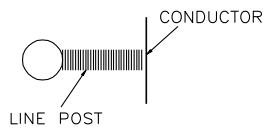
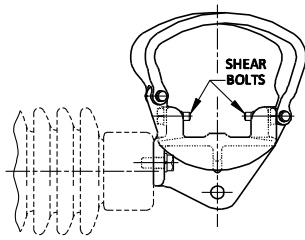


Trunnion Clamps Fig 2

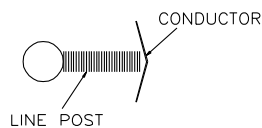
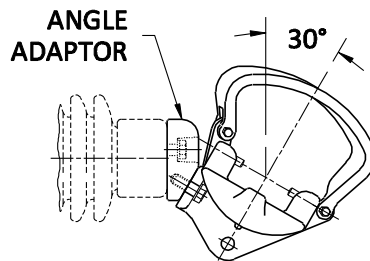


LAPP Catalog Number, Ferrous	LAPP Catalog Number, Aluminum	Figure Number	Conductor Size, inches		Packed Weight, Each, lbs., Ferrous	Packed Weight, Each, lbs., Aluminum
			Min	Max		
47101	47111	1	.25	.56	2.0	1.0
47102	47112	1	.35	.84	2.25	1.2
47103	47113	1	.50	1.06	2.5	1.3
47104	47114	1	1.00	1.50	2.75	1.5
	47115	2	1.50	2.00	3.0	2.0
	98212 (*)	2	2.00	2.70		4.3

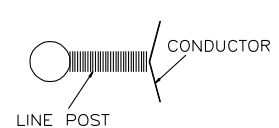
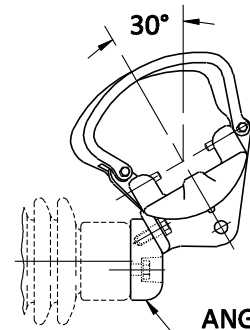
(*) Clamp has four cap screws on keeper.



Tangent



Inside Angle **

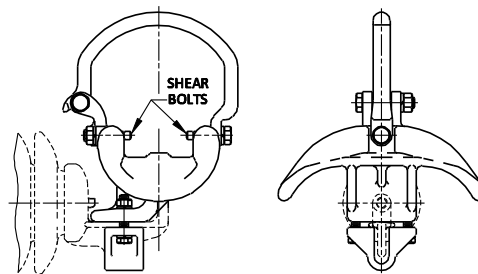


Outside Angle**

Load Limiter

Catalog Number, Load Limiter	Shear Strength, lbs.	Insulator Cantilever Strength, lbs.	Catalog Number, Shear Bolts
301053A	1200	2200	305879
301053B	1500	2800	305880
301053C	2250	4200	305881
301053D	3000	5000	305882

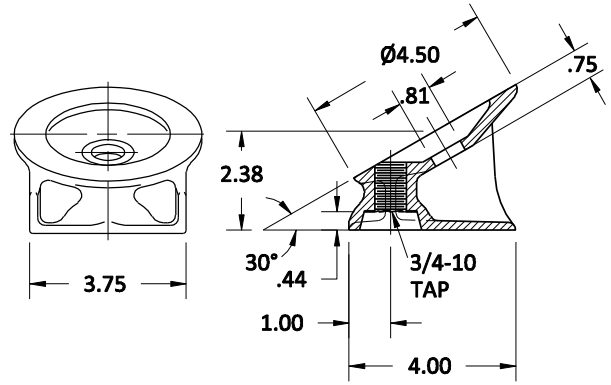
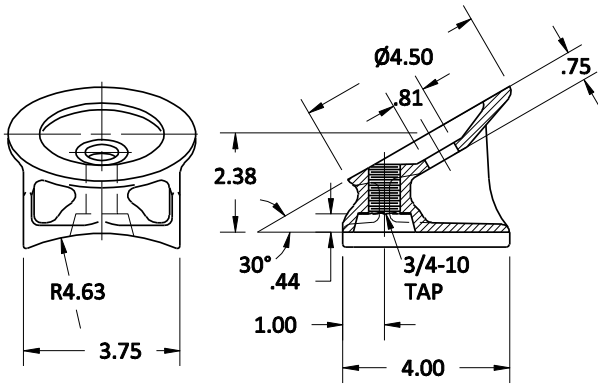
** REQUIRES USE ANGLE ADAPTOR P/N 301496



Load Limiter Adapter

Load Limiter Adaptors for Trunnions

Catalog Number, Load Limiter	Shear Strength, lbs.	Insulator Cantilever Strength, lbs.	Catalog Number, Shear Bolts
099048	1500	2800	305851
099048A	2250	4200	305852
099048B	3000	5000	305878



12649- For Roofed Crossarms

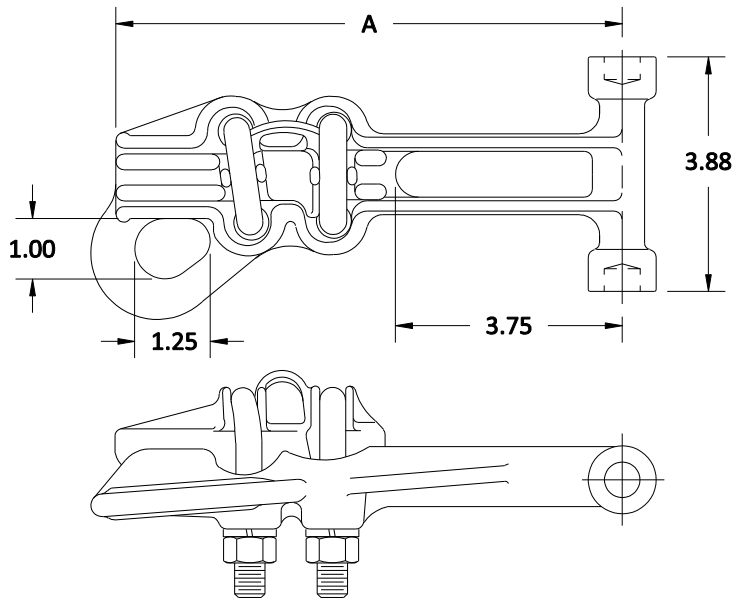
This fitting is designed with a curved mounting surface for use on roofed crossarms. Fitting is attached to crossarm with 10187A stud (ordered separately).

20175- For Flat Crossarms

This fitting is designed for flat mounting on a wood or steel crossarm. For wood mounting, use stud 10187A, for steel mounting use stud 301614 (ordered separately).

Catalog Number	Stud (ordered separately)
12649	10187A
20175	10187A or 301614

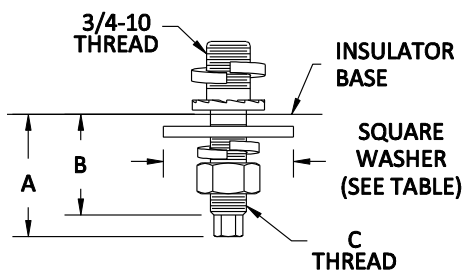
While not generally required, angled mounting adapters offer a convenient method of reducing stress on the crossarm and insulator. These fittings can permit the use of one line post where two would normally be used for turning corners or other angled construction. Fittings are galvanized, malleable cast iron.



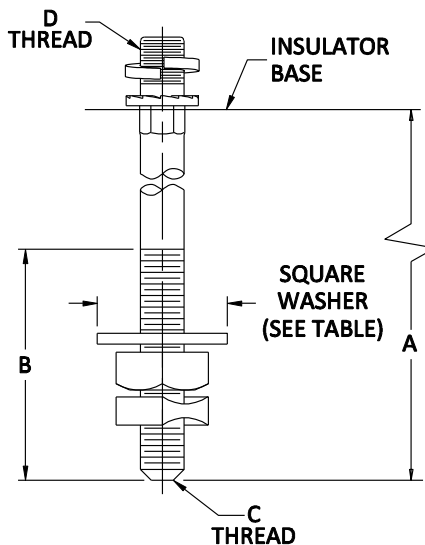
Slack Span Deadend Clamp

LAPP Catalog Number, Aluminum	Conductor Size, inches		Dimension, Section A, inches	Packed Weight, Each, lbs.
	Max.	Min.		
52939*	.38	.16	5-3/4	1
52840	.62	.30	8-3/8	2
52841	.90	.45	8-3/4	2.5
52842	1.25	.62	9-5/8	3
52843	1.56	.8	13-1/8	3.5

* Single U-Bolt Clamps

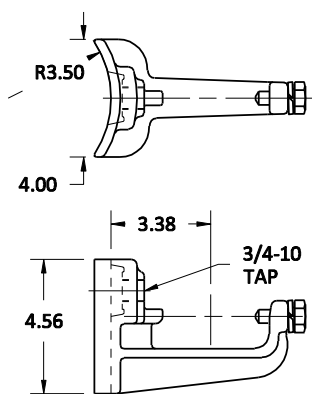


Steel Mount Stud

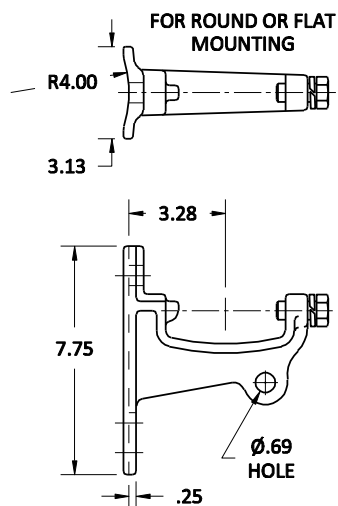


Wood Mount Stud

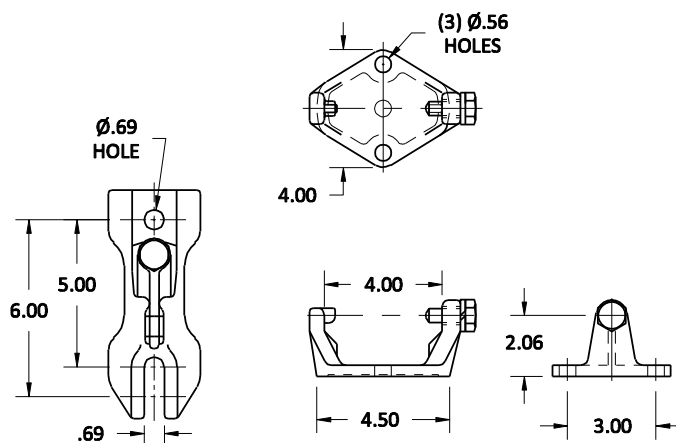
Catalog Number	Attach To	Dimensions, inches					Packed Weight, Each, pounds	Insulator Rating, kV
		A	B	C	D	Square Washer		
301613	Steel	2-3/16	1-13/16	5/8	3/4	No	.62	15, 20, 25
11612A	Wood	7-1/2	3-1/2	5/8	3/4	2.00	1.00	15, 20, 25
74739	Steel	2-3/16	1-13/16	5/8	3/4	2.50	.62	15, 20, 25
301614	Steel	2-3/16	1-13/16	3/4	3/4	No	.75	35, 45, 55, 66
10187A	Wood	7-1/2	4	3/4	3/4	2.25	1.43	35, 45, 55, 66
301616	Steel	3-7/16	3-1/16	7/8	7/8	No	1.00	88
10362A	Wood	8	4	7/8	7/8	3.00	2.50	88



58533



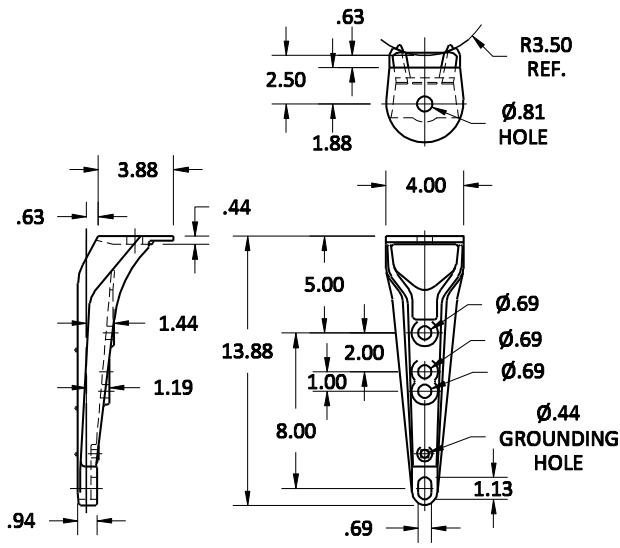
91526A



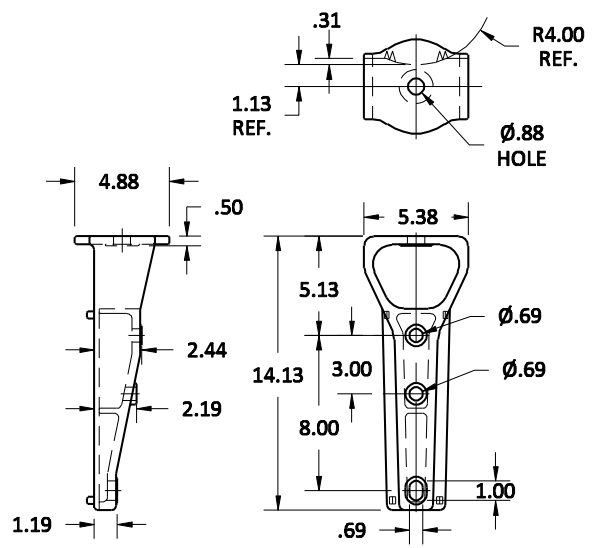
57111

Catalog Number	Use
58533	Bracket designed with curve mounting surface to fit the side of a wood pole, mounting in a horizontal position on the pole by means of a single Line Post-type stud.
91526A	Bracket designed for horizontal mounting on the side of a steel structure by means of two regular steel bolts.
57111	Bracket designed for upright mounting on the top of a steel structure by means of two regular steel bolts.

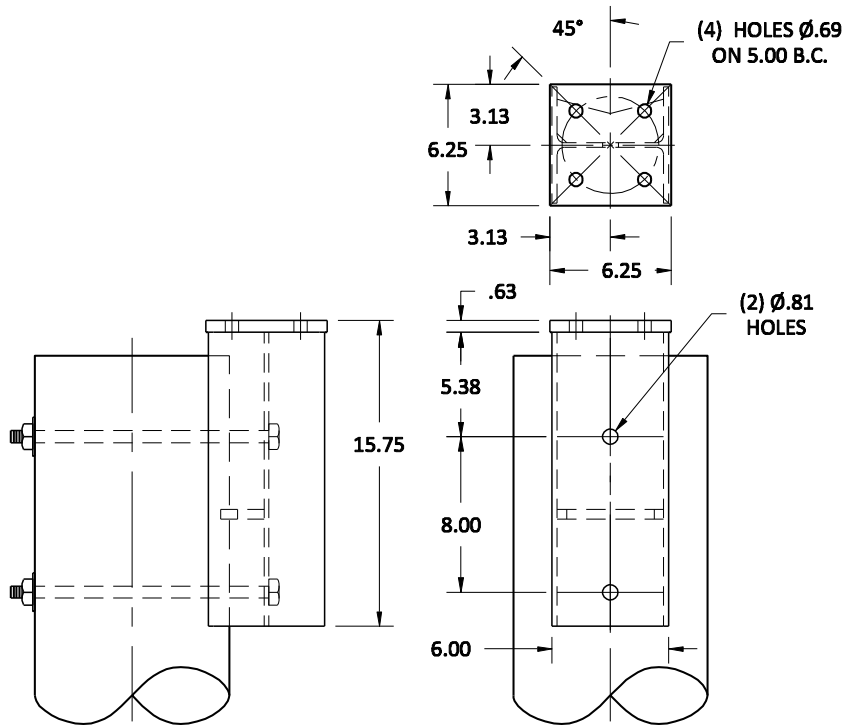
Note: Packed Weight is 450 lbs. per 100 units.



304043A



304044A

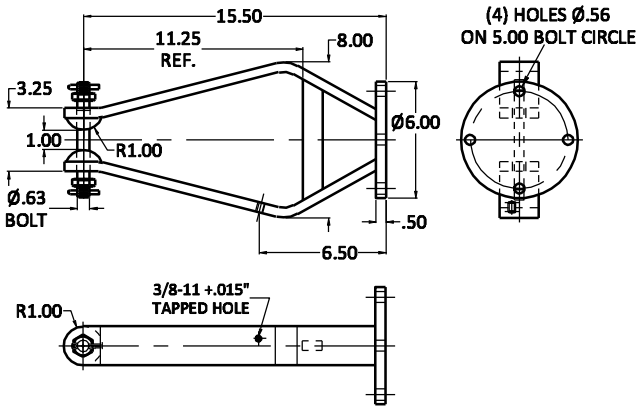


58153B

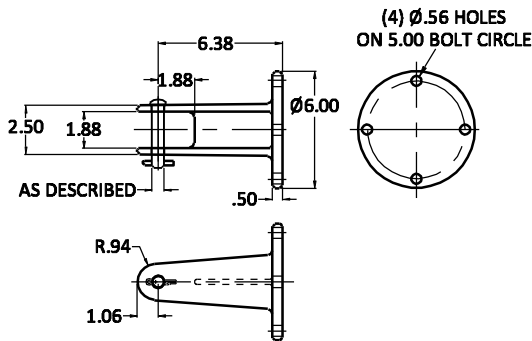
304043A

304044A

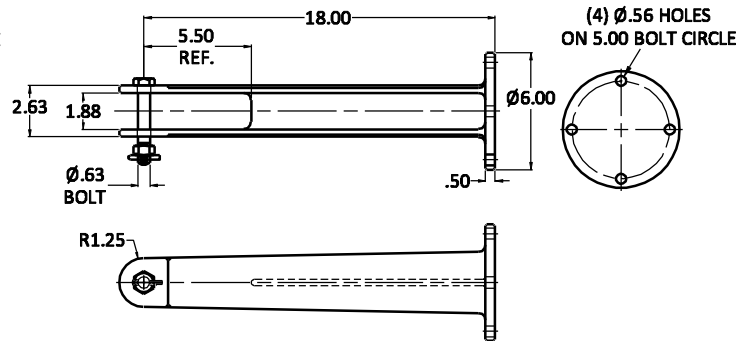
058153B



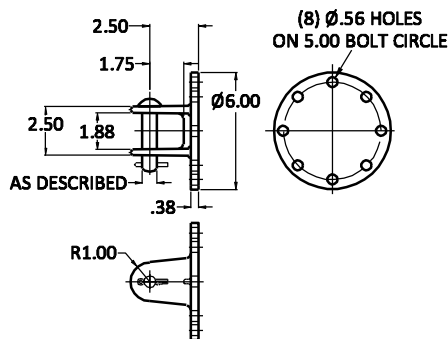
95280 (as shown) / 95280C (bonded)



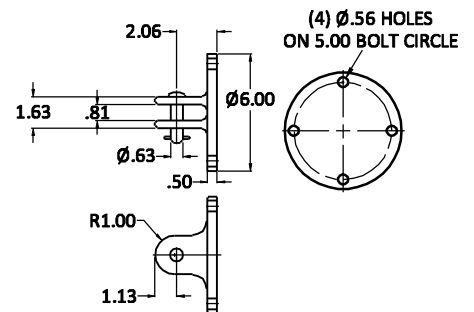
78869B (pin dia 5/8") / 78869C (pin dia 3/4")



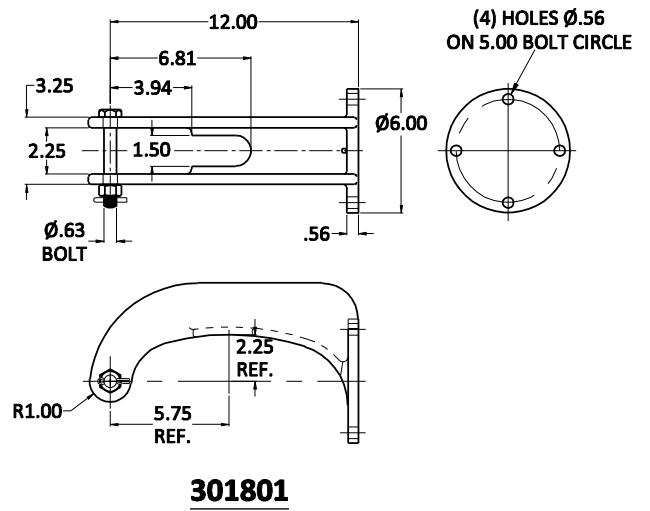
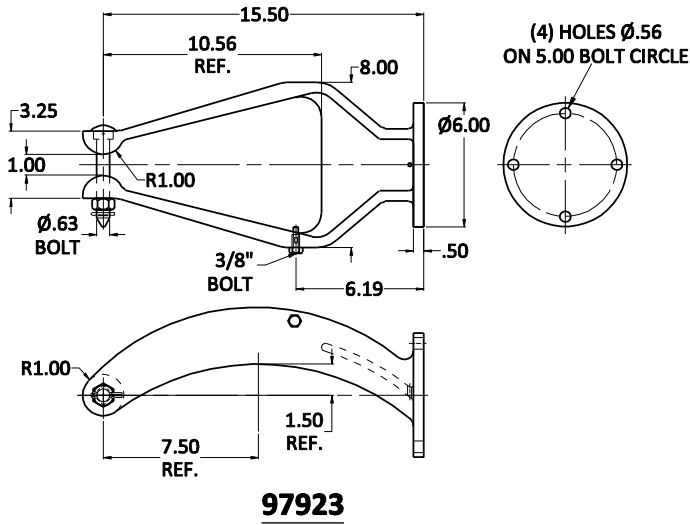
97598

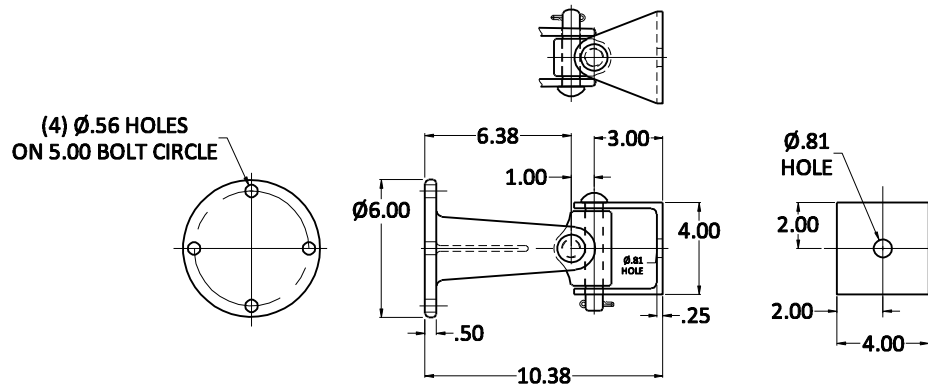


300908 (pin dia 3/4") / 300908B (pin dia 5/8")

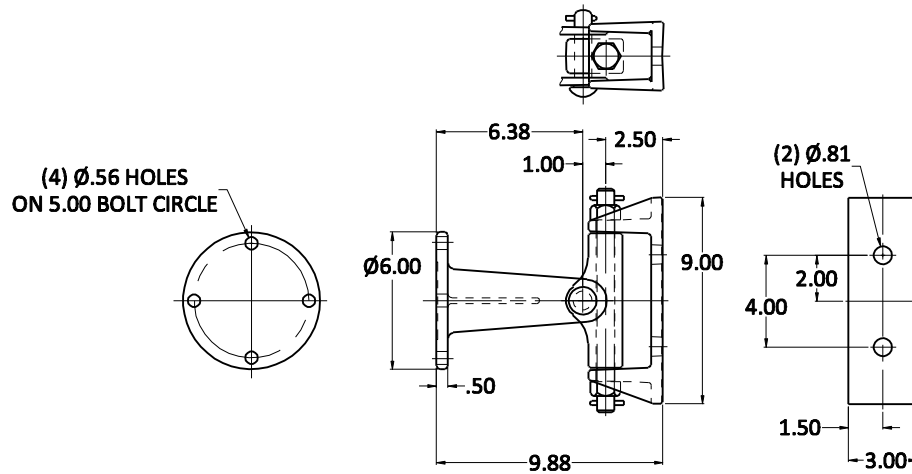


95737



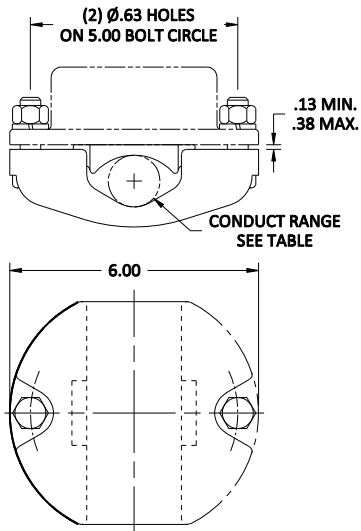


303905

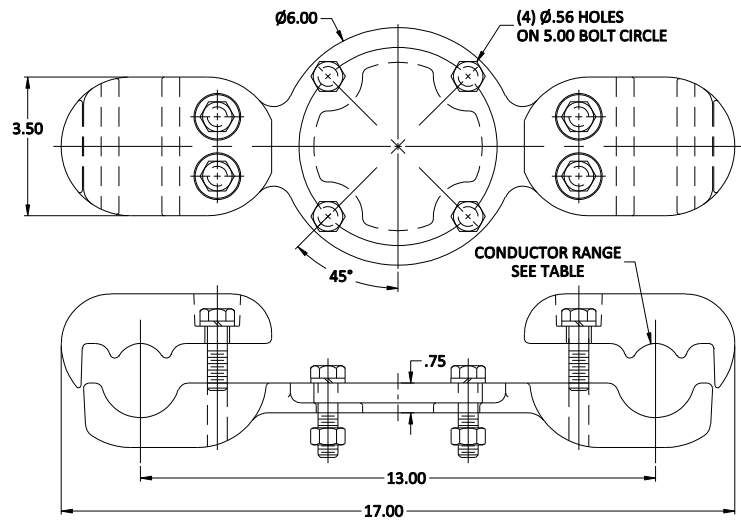


301644

Hinge assemblies are intended for use with Lapp struts.
These assemblies provide a fully articulated mounting point that relieves struts from cantilever loads.



98641 series



97154 series

Single Conductor Clamp		Double Conductor Clamp	
LAPP Catalog Number	Conductor Range	LAPP Catalog Number	Conductor Range
98641G	.72 – 1.00"	97154A	1.00-1.25"
98641A	1.00– 1.25"	97154B	1.25-1.50"
98641B	1.25 – 1.50"	97154C	1.50-1.75"
98641C	1.50-1.75"	97154D	1.75-2.00"
98641D	1.75-2.00"	NOTE: An 18-inch clamp is also available as LAPP Catalog Number 97247 Series. Conductor sizes use same suffix as shown above.	
98641E	2.00-2.25"		
98641F	2.25-2.55"		
98641J	2.25-2.64"		