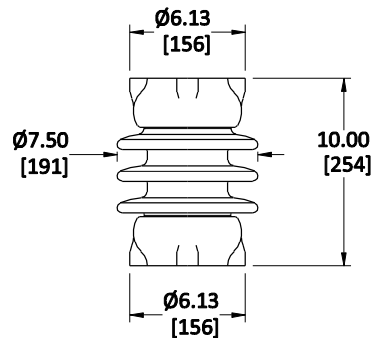


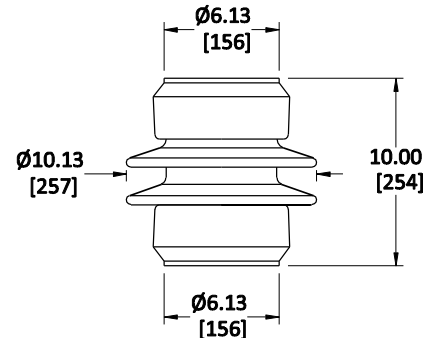
(4) TAPPED HOLES  
1/2-13 +.015" OVERSIZE  
.50 [13] FULL THREAD  
ON 3.00 [76] BOLT CIRCLE

**315202-70**  
Standard Strength



(4) TAPPED HOLES  
5/8-11 +.015" OVERSIZE  
.75 [19] FULL THREAD  
ON 5.00 [127] BOLT CIRCLE

**315222-70**  
High Strength

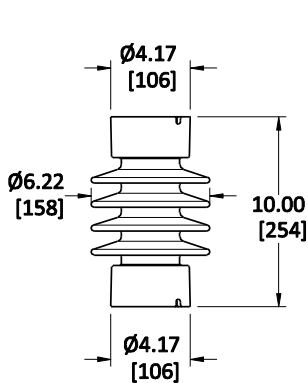


(4) TAPPED HOLES  
5/8-11 +.015" OVERSIZE  
.69 [17] FULL THREAD  
ON 5.00 [127] BOLT CIRCLE

**315232-70+L**  
Extra High Strength

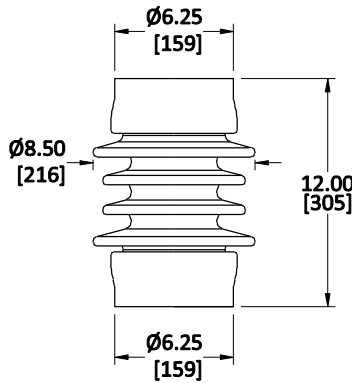
### Characteristics

Catalog Number (Light Gray-ANSI 70)	315202-70	315222-70	315232-70+L
Catalog Number (Brown)	315202	315222	315232+L
Catalog Number (RG®)	535202A	535222A	535232A+L
<b>ANSI Technical Reference Number</b>	<b>T.R. 202</b>	<b>T.R. 222</b>	---
<b>Dimensions</b>			
Leakage Distance, Reference Standard, in. [mm]	10.5 [267]	10.5 [267]	10.5 [267]
Leakage Distance, High Leak, in. [mm]	---	---	---
Leakage Distance, Extra High Leak, inches [mm]	---	---	---
<b>Mechanical Values</b>			
Cantilever Strength, lbs. [kN]	2000 [8.9]	4000 [17.7]	8000 [35.6]
Tensile Strength, lbs. [kN]	7000 [31.1]	15000 [66.7]	28000 [124.5]
Torsion Strength, in-lbs. [kNm]	6000 [0.67]	12000 [1.35]	40000 [4.52]
Compression Strength, lbs. [kN]	10000 [44.4]	20000 [88.9]	40000 [177.9]
<b>Electrical Values</b>			
Impulse Flashover, Positive, kV	105	125	105
Low Frequency Withstand, 10 Sec. Wet, kV	30	45	30
Impulse Withstand, kV	95	110	95
<b>Radio Influence Voltage Data</b>			
Test Voltage, Rms to Ground, kV	5	10	5
Maximum RIV, Microvolts at 1000 kHz	50	50	50
Net Weight, Each, lbs. [kg]	16.8 [7.6]	29.9 [13.6]	42.5 [19.3]



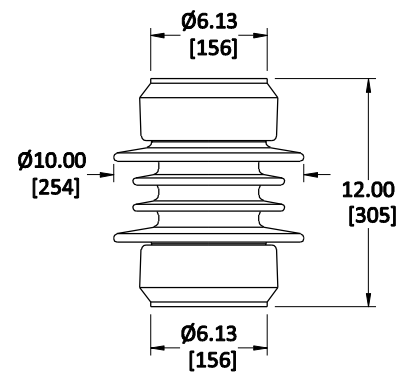
(4) TAPPED HOLES  
1/2-13 +.015" OVERSIZE  
.50 [13] FULL THREAD  
ON 3.00 [76] BOLT CIRCLE

**315205-70**  
Standard Strength



(4) TAPPED HOLES  
5/8-11 +.015" OVERSIZE  
.75 [19] FULL THREAD  
ON 5.00 [127] BOLT CIRCLE

**315225-70**  
High Strength



(4) TAPPED HOLES  
5/8-11 +.015" OVERSIZE  
.69 [17] FULL THREAD  
ON 5.00 [127] BOLT CIRCLE

**315235-70+L**  
Extra High Strength

**Characteristics**

Catalog Number (Light Gray-ANSI 70)	315205-70	315225-70	315235-70+L
Catalog Number (Brown)	315205	315225	315235+L
Catalog Number (RG®)	535205A	535225A	535235A+L
<b>ANSI Technical Reference Number</b>	T.R. 205	T.R. 225	---
<b>Dimensions</b>			
Leakage Distance, Reference Standard, in. [mm]	15.5 [394]	15.5 [394]	15.5 [394]
Leakage Distance, High Leak, in. [mm]	19.0 [483]	24.0 [610]	---
Leakage Distance, Extra High Leak, inches [mm]	---	---	---
<b>Mechanical Values</b>			
Cantilever Strength, lbs. [kN]	2000 [8.9]	4000 [17.8]	8000 [35.6]
Tensile Strength, lbs. [kN]	8500 [37.8]	20000 [89.0]	28000 [124.5]
Torsion Strength, in-lbs. [kNm]	7000 [0.79]	14000 [1.58]	40000 [4.52]
Compression Strength, lbs. [kN]	10000 [44.5]	20000 [89.0]	40000 [177.9]
<b>Electrical Values</b>			
Impulse Flashover, Positive, kV	125	125	125
Low Frequency Withstand, 10 Sec. Wet, kV	45	45	45
Impulse Withstand, kV	110	110	110
<b>Radio Influence Voltage Data</b>			
Test Voltage, Rms to Ground, kV	10	10	10
Maximum RIV, Microvolts at 1000 kHz	50	50	50
Net Weight, Each, lbs. [kg]	15.4 [7.0]	40.3 [18.3]	48.3 [21.9]