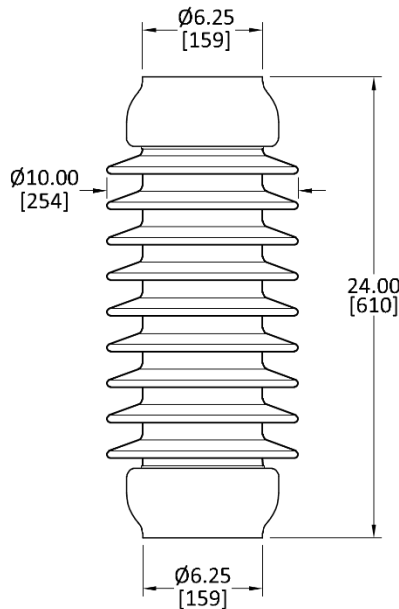


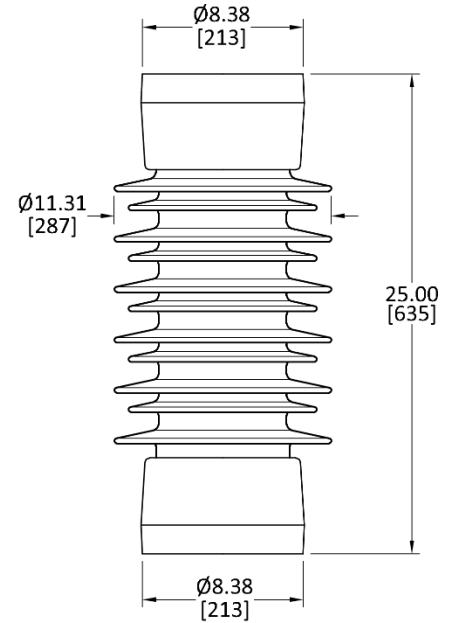
(4) TAPPED HOLES
1/2-13 +.015" OVERSIZE
.50 [13] FULL THREAD
ON 3.00 [76] BOLT CIRCLE

315214-70
Standard Strength



(4) TAPPED HOLES
5/8-11 +.015" OVERSIZE
.63 [16] FULL THREAD
ON 5.00 [127] BOLT CIRCLE

315267-70
High Strength

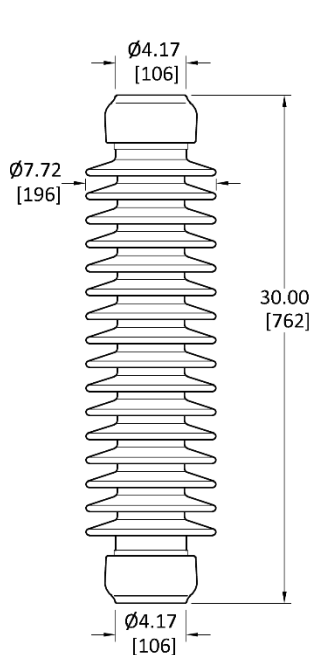


(4) TAPPED HOLES
3/4-10 +.015" OVERSIZE
.88 [22] FULL THREAD
ON 7.00 [178] BOLT CIRCLE

318459-70
Extra High Strength

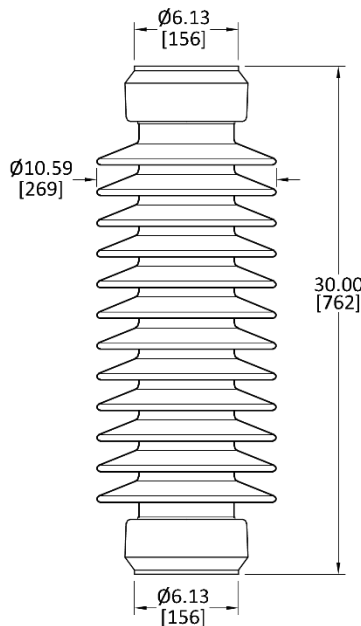
Characteristics

Catalog Number (Light Gray-ANSI 70)	315214-70	315267-70	318459-70
Catalog Number (Brown)	315214	315267	318459
Catalog Number (RG®)	535214A	535267A	500198A
ANSI Technical Reference Number	T.R. 214	T.R. 267	---
Dimensions			
Leakage Distance, Reference Standard, in. [mm]	43 [1092]	43 [1092]	50 [1270]
Leakage Distance, High Leak, in. [mm]	65 [1651]	60 [1524]	65 [1651]
Leakage Distance, Extra High Leak, inches [mm]	---	65 [1651]	---
Mechanical Values			
Cantilever Strength, lbs. [kN]	2000 [8.9]	4000 [17.8]	8000 [35.6]
Tensile Strength, lbs. [kN]	14000 [62.2]	25000 [111.2]	40000 [177.9]
Torsion Strength, in-lbs. [kNm]	12000 [1.35]	20000 [2.26]	90000 [7.96]
Compression Strength, lbs. [kN]	15000 [66.7]	60000 [266.9]	12000 [533.8]
Electrical Values			
Impulse Flashover, Positive, kV	280	280	280
Low Frequency Withstand, 10 Sec. Wet, kV	100	100	100
Impulse Withstand, kV	250	250	250
Radio Influence Voltage Data			
Test Voltage, Rms to Ground, kV	30	30	30
Maximum RIV, Microvolts at 1000 kHz	200	200	200
Net Weight, Each, lbs. [kg]	45.2 [20.5]	112.4 [51.0]	138.3 [62.7]



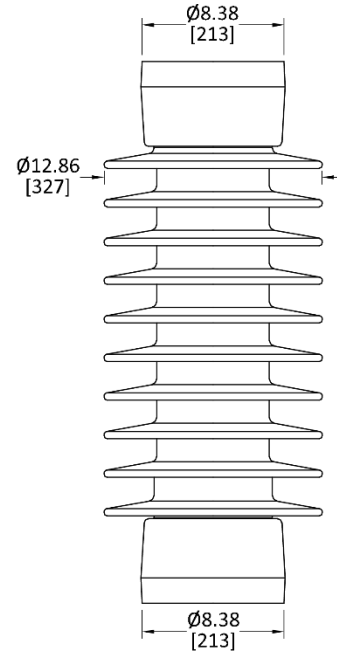
(4) TAPPED HOLES
1/2-13 +.015" OVERSIZE
.50 [13] FULL THREAD
ON 3.00 [76] BOLT CIRCLE

315216-70
Standard Strength



(4) TAPPED HOLES
5/8-11 +.015" OVERSIZE
.63 [16] FULL THREAD
ON 5.00 [127] BOLT CIRCLE

315278-70
High Strength



(4) TAPPED HOLES
3/4-10 +.015" OVERSIZE
.88 [22] FULL THREAD
ON 7.00 [178] BOLT CIRCLE

318461-70
Extra High Strength

Characteristics

Catalog Number (Light Gray-ANSI 70)	315216-70	315278-70	318461-70
Catalog Number (Brown)	315216	315278	318461
Catalog Number (RG®)	535216A	535278A	500201A
ANSI Technical Reference Number	T.R. 216	---	---
Dimensions			
Leakage Distance, Reference Standard, in. [mm]	72 [1829]	72 [1829]	72 [1829]
Leakage Distance, High Leak, in. [mm]	95 [2413]	101 [2565]	102 [2591]
Leakage Distance, Extra High Leak, inches [mm]	107.5 [2731]	114 [2896]	---
Mechanical Values			
Cantilever Strength, lbs. [kN]	1500 [6.7]	3000 [17.7]	6000 [26.7]
Tensile Strength, lbs. [kN]	16000 [71.2]	25000 [111.2]	40000 [177.9]
Torsion Strength, in-lbs. [kNm]	15000 [1.69]	40000 [4.52]	90000 [7.96]
Compression Strength, lbs. [kN]	25000 [111.2]	60000 [266.9]	120000 [533.6]
Electrical Values			
Impulse Flashover, Positive, kV	390	390	390
Low Frequency Withstand, 10 Sec. Wet, kV	145	145	145
Impulse Withstand, kV	350	350	350
Radio Influence Voltage Data			
Test Voltage, Rms to Ground, kV	44	44	44
Maximum RIV, Microvolts at 1000 kHz	200	200	200
Net Weight, Each, lbs. [kg]	66.1 [30.0]	129.0 [58.5]	184.5 [83.7]