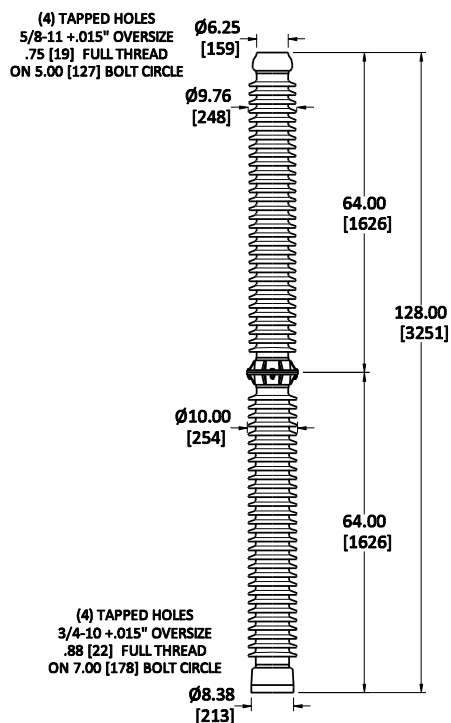


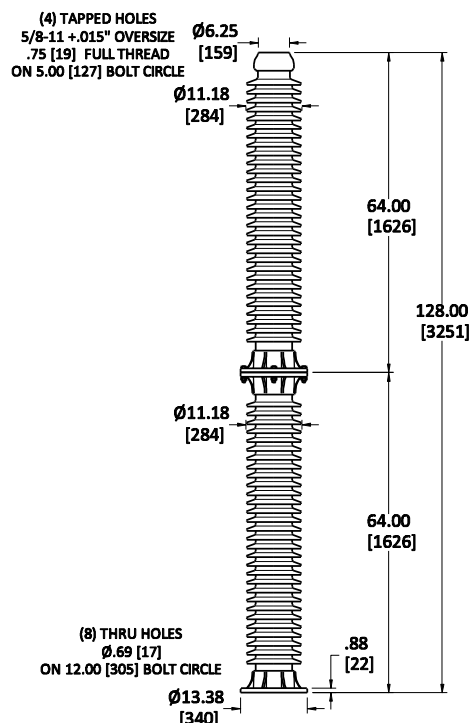
314732-70

Standard Strength



315379-70+L

High Strength



315380-70+L

Extra High Strength

Characteristics

Catalog Number (Light Gray-ANSI 70)	314732-70	315379-70+L	315380-70+L
Catalog Number (Brown)	314732	315379+L	315380+L
Catalog Number (RG®)	500203A	535379A+L	535380A+L
ANSI Technical Reference Number	---	T.R. 379	T.R. 380
<b>Dimensions</b>			
Leakage Distance, Reference Standard, in. [mm]	320 [8128]	280 [7112]	305 [7747]
Leakage Distance, High Leak, in. [mm]	439 [11150]	439 [11150]	416 [10566]
Leakage Distance, Extra High Leak, inches [mm]	---	---	---
<b>Mechanical Values</b>			
Cantilever Strength, lbs. [kN]	1000 [4.5]	1700 [7.6]	2500 [11.1]
Tensile Strength, lbs. [kN]	20000 [89.0]	20000 [89.0]	25000 [111.2]
Torsion Strength, in.-lbs. [kNm]	60000 [6.77]	40000 [4.52]	60000 [6.78]
Compression Strength, lbs. [kN]	60000 [266.9]	60000 [266.9]	60000 [266.9]
<b>Electrical Values</b>			
Impulse Flashover, Positive, kV	1710	1710	1710
Low Frequency Withstand, 10 Sec. Wet, kV	620	620	620
Impulse Withstand, kV	1550	1550	1550
<b>Radio Influence Voltage Data **</b>			
Test Voltage, Rms to Ground, kV	318	318	318
Maximum RIV, Microvolts at 1000 kHz	2000	2000	2000
Net Weight, Each, lbs. [kg]	379.3 [172.0]	573.2 [260.0]	760.6 [345.0]

\*\* 1550 kV BIL may require corona rings to achieve RIV rating depending on application.  
See later page for Lapp Universal Corona Ring.